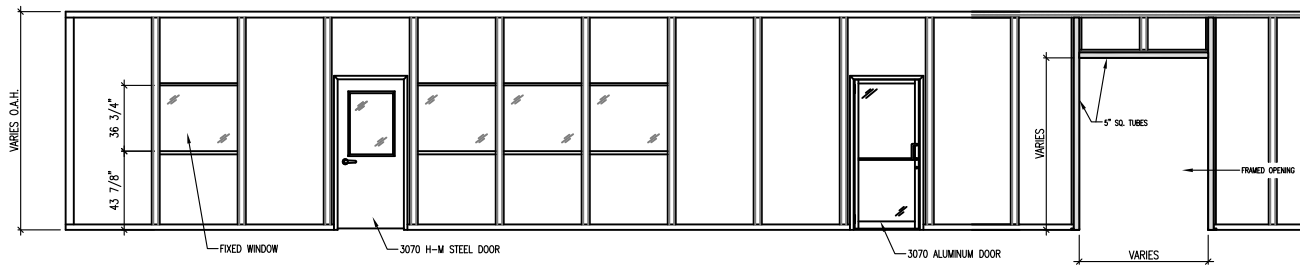
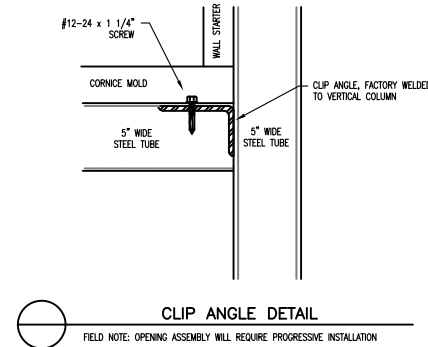


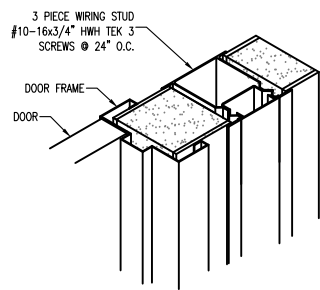
TYPICAL PORTAMAX WALL SECTION
SCALE 1/2"=1"



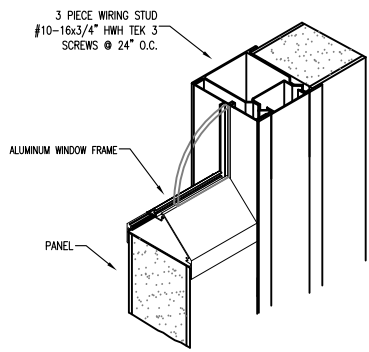
TYPICAL WALL ELEVATION



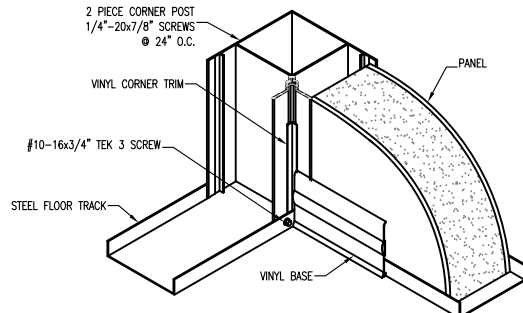
CLIP ANGLE DETAIL
FIELD NOTE: OPENING ASSEMBLY WILL REQUIRE PROGRESSIVE INSTALLATION



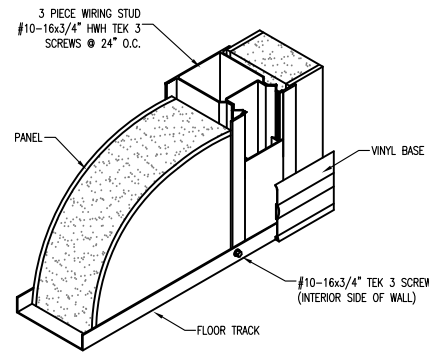
DOOR AT 4 5/8" ALUMINUM STUD DETAIL



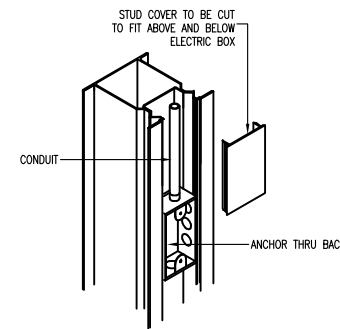
WINDOW AT 4 5/8" ALUMINUM STUD



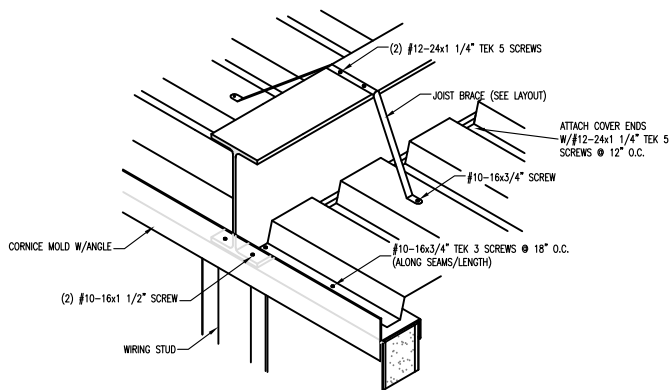
4 5/8" CORNER POST DETAIL



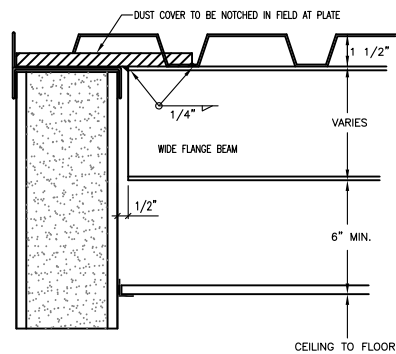
PANEL AT 4 5/8" ALUMINUM STUD



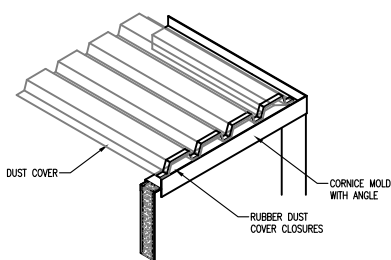
CONDUIT IN 4 5/8" ALUMINUM STUD



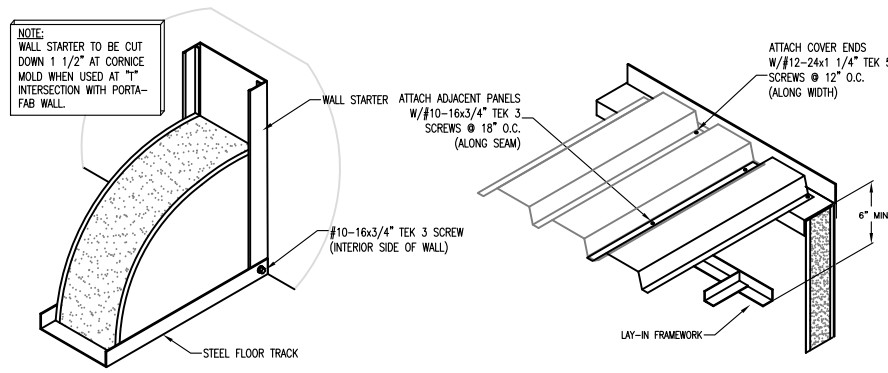
SUPPORT MEMBER ABOVE CM



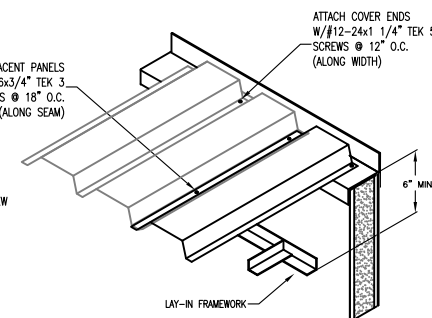
RECESSED BEAM SECTION



RUBBER DUST COVER CLOSURES



4 5/8" WALL STARTER CONNECTION



DUST COVER AT WALL DETAIL

DATE	DESCRIPTION	REV.

PORTAFAB CORPORATION
 10080 CHESTERFIELD AIRPORT ROAD, CHESTERFIELD, MO 63005
 email: engineering@portafab.com (800) 325-3781

These documents were developed by PORTAFAB Corporation. The contents of these documents are the property of PORTAFAB Corporation. They are not to be copied or otherwise used without the express written permission of PORTAFAB Corporation.

PM45A CLEANROOM STANDARD DETAILS	P.O.

PORTAMAX 458A
 PANEL HEIGHT:
 PANEL FINISH

PANEL CONSTRUCTION

DRAWN BY: C.B.	DATE:
CHECKED BY:	SHIP DATE:
SCALE: 1/4" = 1"	REVISED:
ORDER NO.	
SHEET NO. 10F 1	

SUPPLIER MAKES NO REPRESENTATION THAT THE BUILDING OR COMPONENT DEPICTED HEREIN COMPLIES WITH APPLICABLE CODE OR ORDINANCES; PURCHASER SHOULD VERIFY COMPLIANCE WITH SUCH CODES AND ORDINANCES.