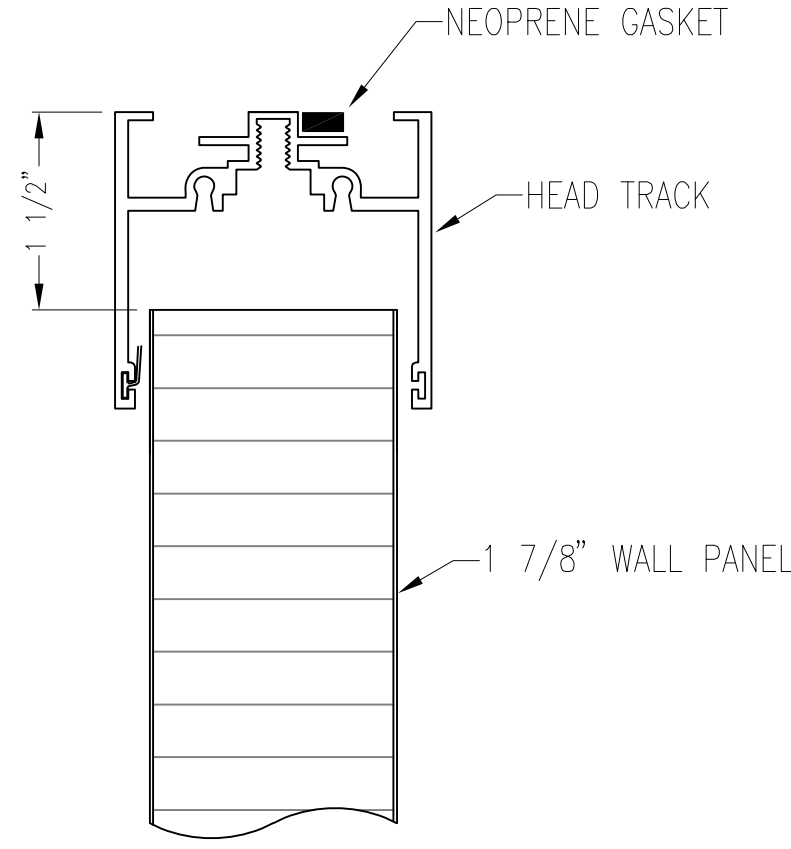
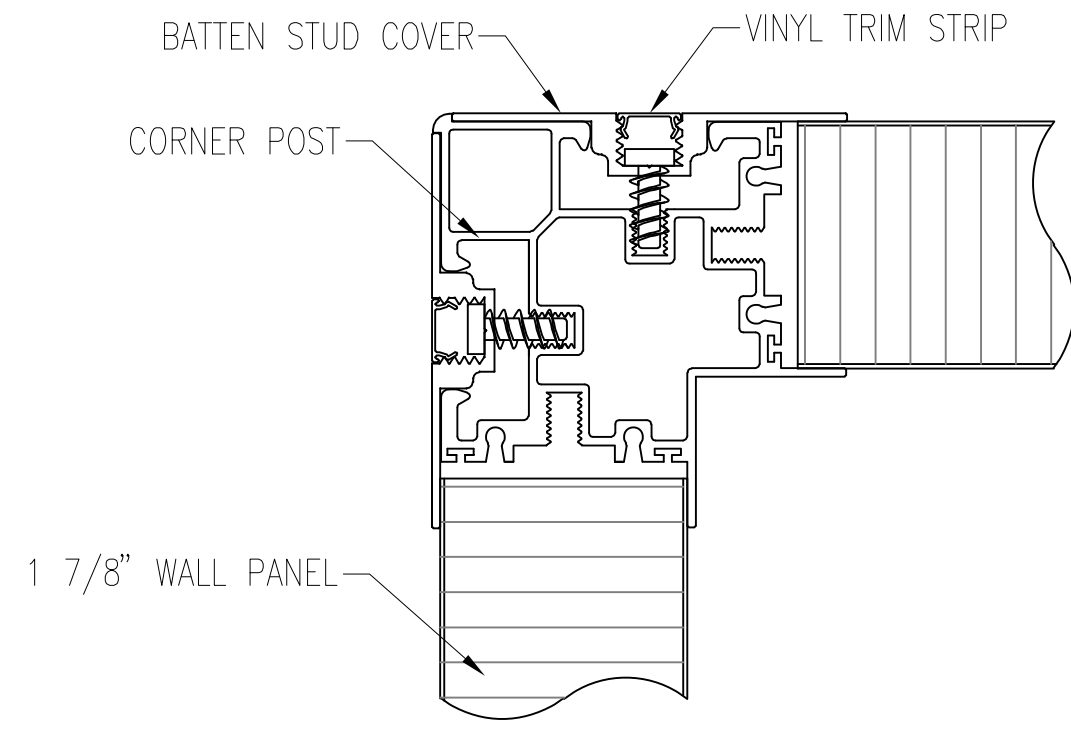


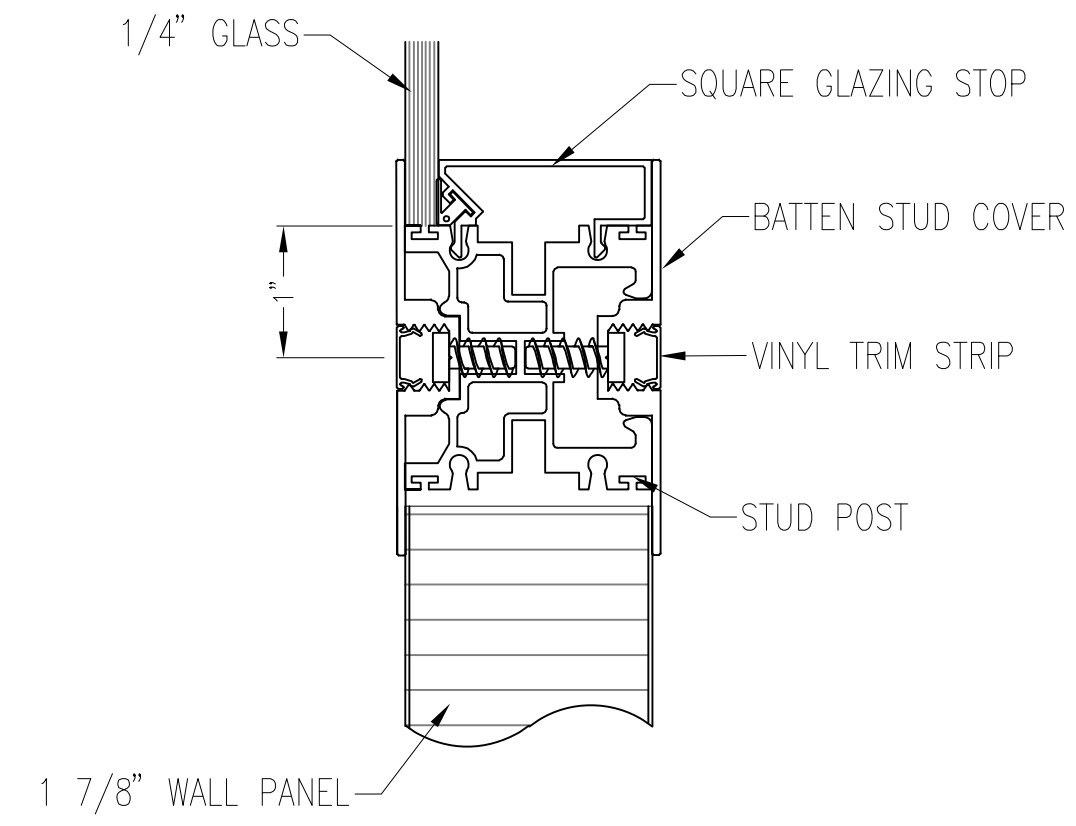
A | B | C | D | E | F | G | H



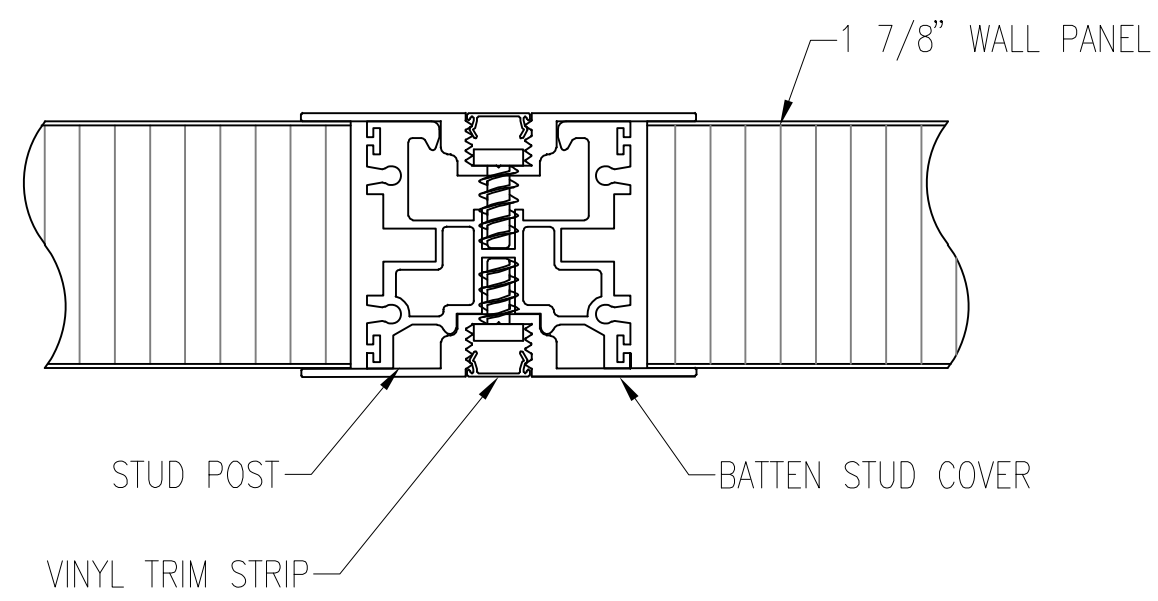
A
1 HEAD TRACK DETAIL



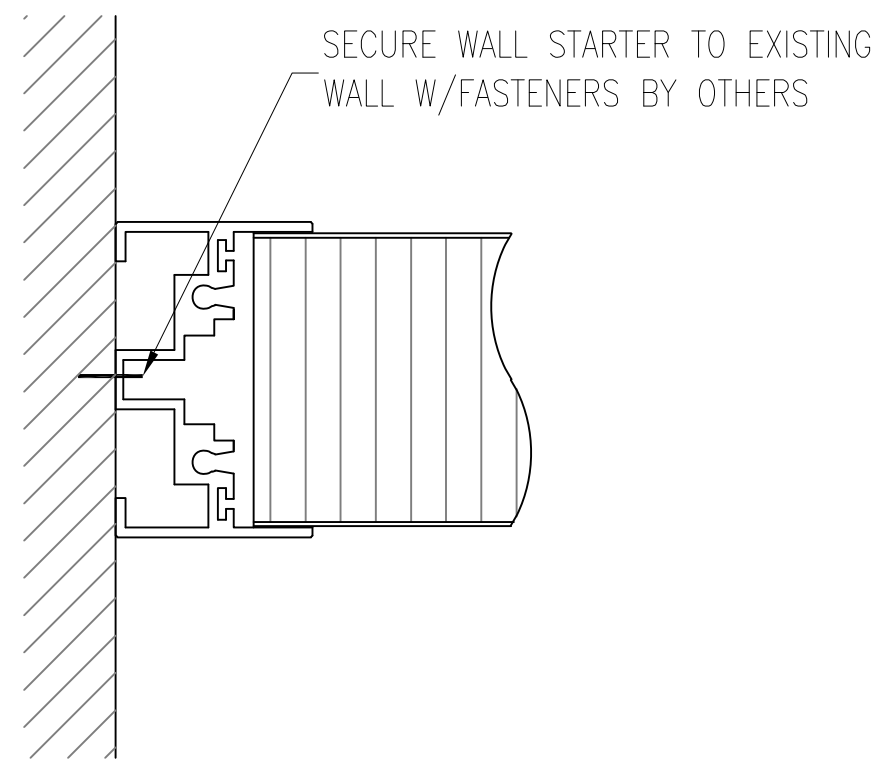
B
1 CORNER POST DETAIL



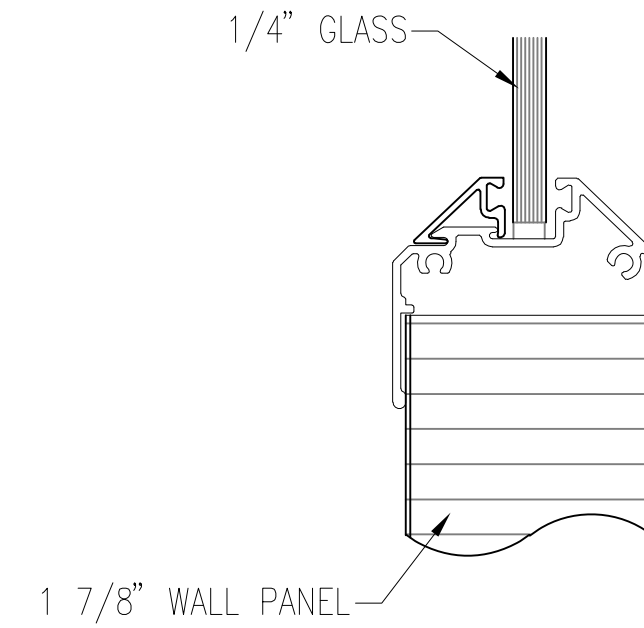
C
1 FLUSH WINDOW DETAIL



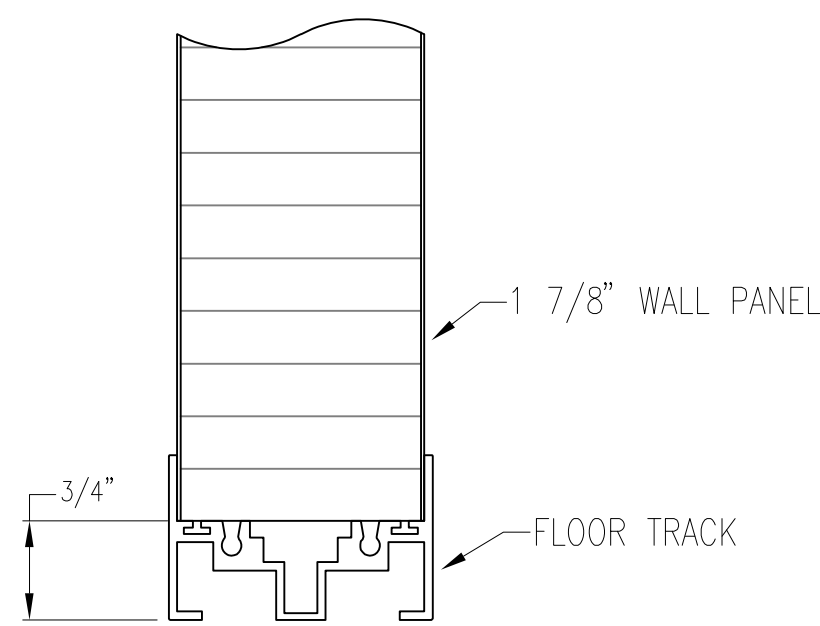
D
1 STUD POST DETAIL



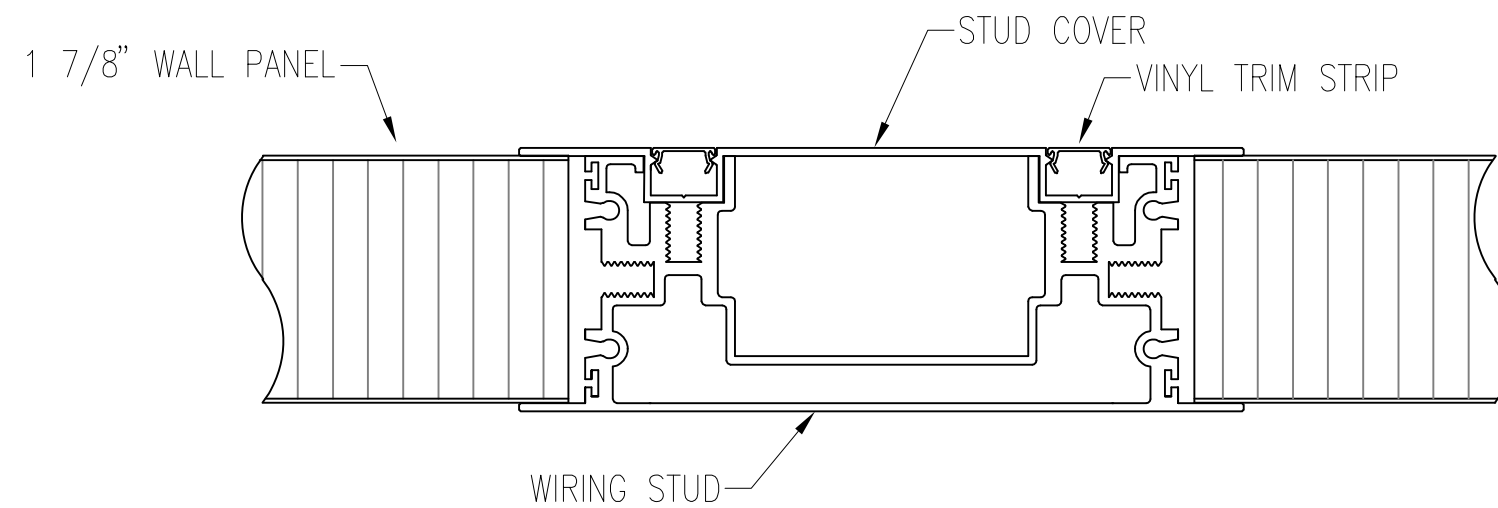
E
1 WALL STARTER DETAIL



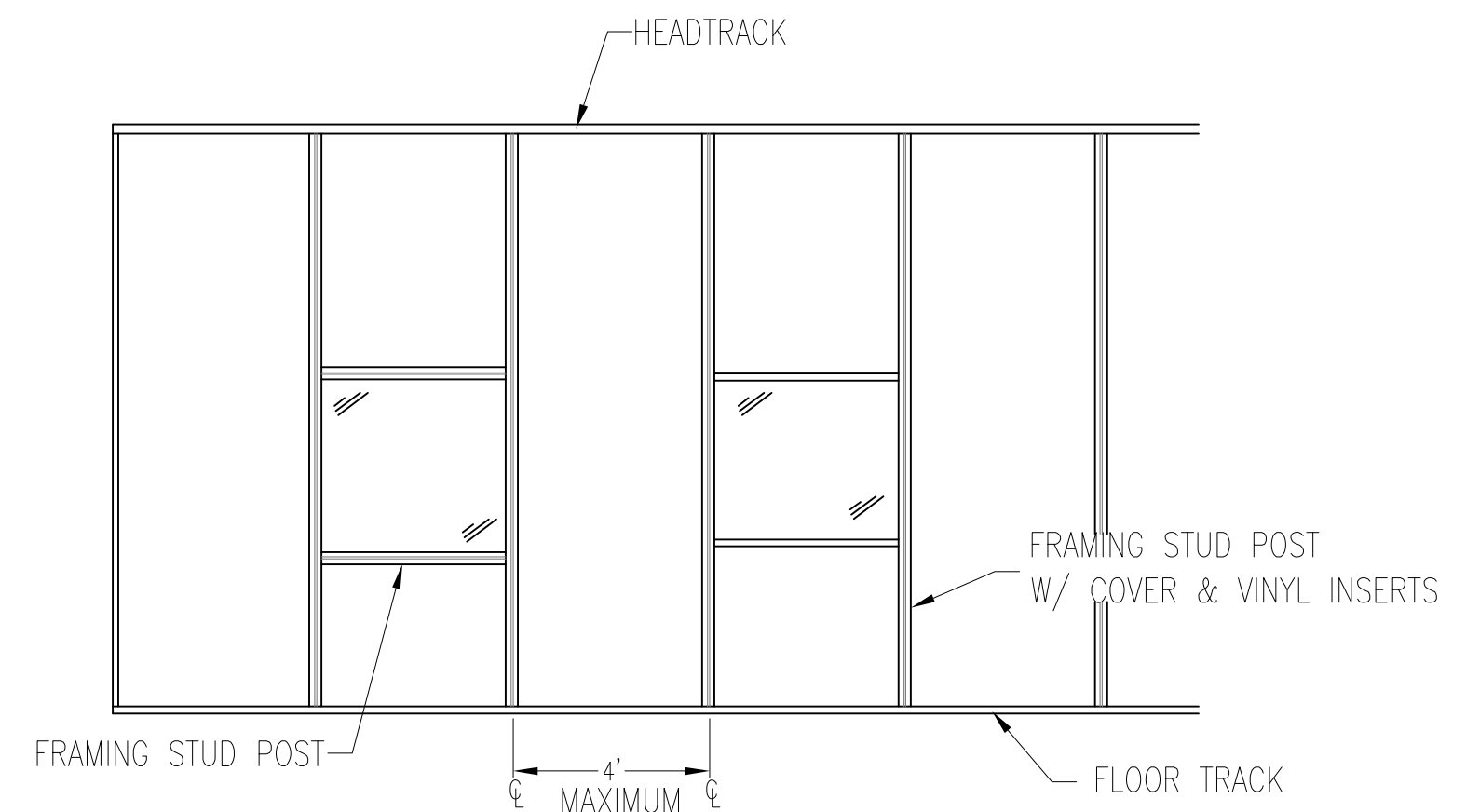
F
1 BEVELED WINDOW DETAIL



G
1 FLOOR TRACK DETAIL



H
1 WIRING STUD DETAIL



FRAMED 2000 WALL ELEVATION

| REV. | DESCRIPTION |
|------|-------------|
| | |
| | |
| | |
| | |
| | |
| | |
| | |
| | |
| | |
| | |

PORTAFAB CORPORATION
 18080 CHESTERFIELD AIRPORT ROAD, CHESTERFIELD, MO 63005
 email: engineering@portafab.com (800) 325-3781

These documents were developed by PORTA-FAB Corporation. The contents of these documents are the property of PORTA-FAB Corporation. They are not to be copied or otherwise used without the express written permission of PORTA-FAB Corporation.

STANDARD DETAILS

P.O.

FABLINE 2000
 PANEL HEIGHT: 8'-0"
 PANEL FINISH
 PANEL CONSTRUCTION

DRAWN BY: LT DATE: 03/2020

CHECKED BY: SHIP DATE:

SCALE: nts REVISED:

ORDER NO.

SHEET NO.
 10F 1

FRAMED 2000

SUPPLIER MAKES NO REPRESENTATION THAT THE BUILDING OR COMPONENT DEPICTED HEREIN COMPLIES WITH APPLICABLE CODE OR ORDINANCES; PURCHASER SHOULD VERIFY COMPLIANCE WITH SUCH CODES AND ORDINANCES.